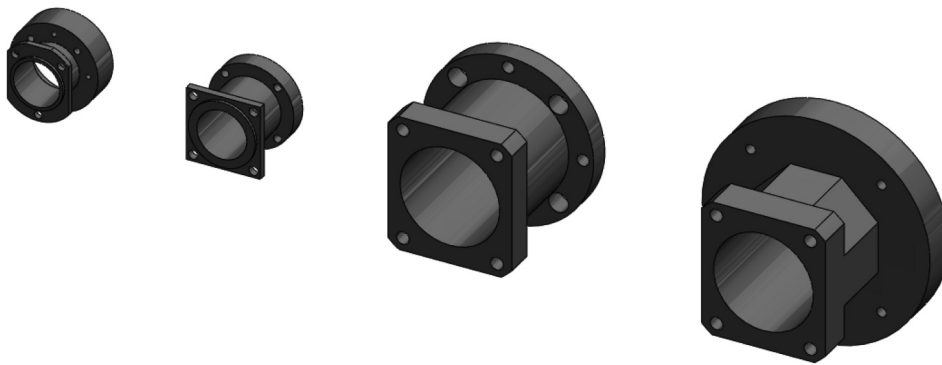


Kundenspezifische Flansche MAF



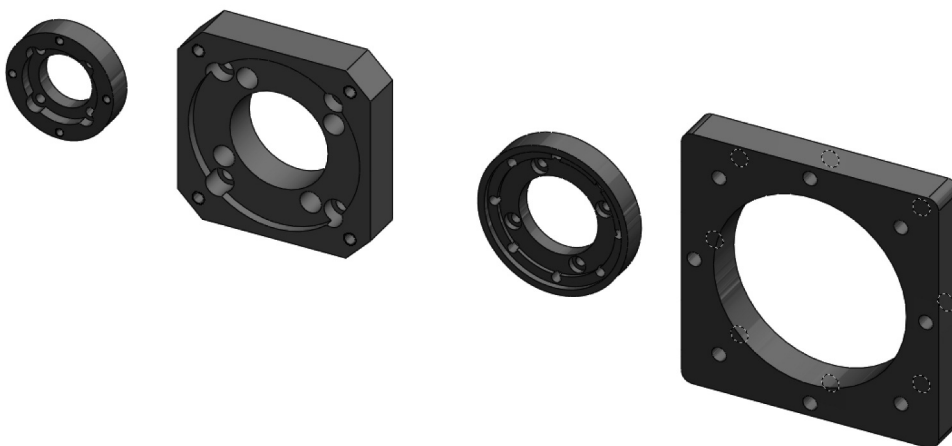
Specific flanges/brides spécifiques/flangie speciale



Bestellbeispiel:	example of ordering:	exemple de commande:	esempio di ordinazione:
MAF 060.MKU 060.1.SEW.... MAF 060: Achsgröße 060 MKU 060.1: Kupplung MKU 060.1 Motor: SEW...	MAF 060.MKU 060.1.SEW.... MAF 060: axis 060 MKU 060.1: coupling MKU 060.1 motor: SEW...	MAF 060.MKU 060.1.SEW.... MAF 060: axe 060 MKU 060.1: accoupl. MKU 060.1 moteur: SEW...	MAF 060.MKU 060.1.SEW.... MAF 060: asse 060 MKU 060.1: giunto MKU 060.1 motore: SEW...

Adapterscheiben AS

Adapter discs/disques d'adaption/dischi d'adattamento



Bestellbeispiel:	example of ordering:	exemple de commande:	esempio di ordinazione:
AS 060.MAF 060.MKU 060.1.SEW.... AS 060: Achsgröße 060 MAF 060: Flansch MKU 060.1: Kupplung MKU 060.1 Motor: SEW...	AS 060.MAF 060.MKU 060.1.SEW.... AS 060: axis 060 MAF 060: flange MKU 060.1: coupling MKU 060.1 motor: SEW...	AS 060.MAF 060.MKU 060.1.SEW.... AS 060: axe 060 MAF 060: bride MKU 060.1: accoupl. MKU 060.1 moteur: SEW...	MAF 060.MKU 060.1.SEW.... AS 060: asse 060 MAF 060: flangia MKU 060.1: giunto MKU 060.1 motore: SEW...